

Extractability™



www.extractability.eu

Peters House
The Orbital Centre
Icknield Way
Letchworth Garden City
Hertfordshire
SG6 1ET
Tel. +44 (0) 845 862 2620

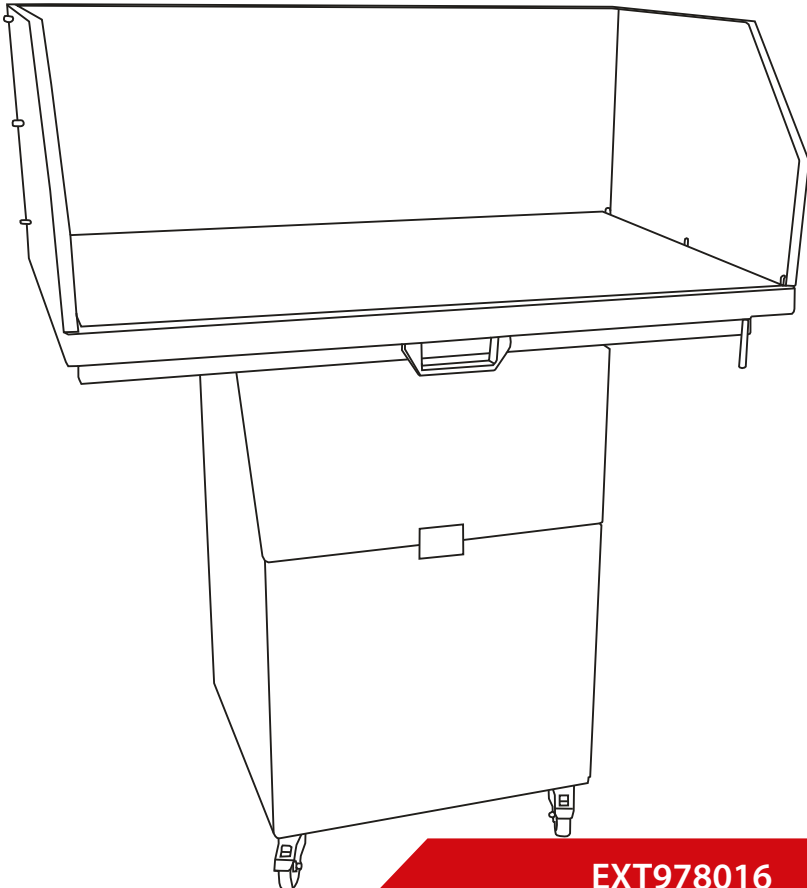


ProtectoXtracTop

CE
Approved

Operation And Assembly Manual

V1. 2016



EXT978016

Contents

1.	Preface	3
1.1	General	3
1.2	Application	3
1.3	ProtectoXtract Options and Replacement Parts	3
1.4	Product Overview	4
2.	Safety Instructions	5
2.1	General	5
2.2	Instructions	6
3.	Installation	7
4.	Maintenance	11

Original instruction

All rights reserved. The information given in this document has been collected for the general convenience of our clients. It has been based on general data pertaining to construction material properties and working methods known to us at the time of issue of the document and is therefore subject at any time to change or amendment and the right to change or amend is hereby expressly reserved. The instructions in this publication only serve as a guideline for installation, use, maintenance and repair of the product mentioned on the cover page of this document. This publication is to be used for the standard model of the product of the type given on the cover page. Thus the manufacturer cannot be held responsible for any damage resulting from the application of this publication to the version actually delivered to you. This publication has been written with great care. However, the manufacturer cannot be held responsible, either for any errors occurring in this publication or for their consequences.

1. Preface

1.1 General

Please observe this operation and assembly manual before operating the ProtectoXtracTop attachment, and pay strict attention to any safety warnings which lead to the prevention of injury or damage. Store this manual in a safe place. These instructions are to be regarded as a component of the product.

Contact the manufacturer in case of any uncertainty.

1.2 Application

The ProtectoXtracTop attachment - mounted to the filter unit "ProtectoXtract" - serves as a support for cutting and grinding applications. The dust or smoke particles produced during these processes can be extracted at the same time by the filter unit "ProtectoXtract". The extraction of the particles takes place through the perforated plate of the supporting surface.



WARNING

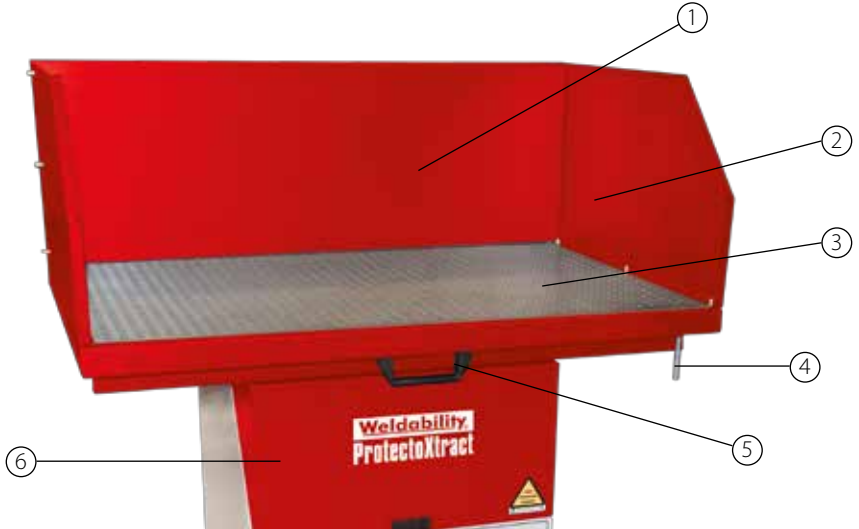
Improper use of the ProtectoXtracTop attachment can cause damage and may result in health hazards. The work surface attachment must only be used in conjunction with the filter unit "ProtectoXtract" and the "ProtectoSpark". Please also note the intended use of the filter unit "ProtectoXtract".

1.3 ProtectoXtract Options and Replacement Parts

Element	Part Number
Washable aluminium filter	EXT978014
Gross-filter (10 pcs)	EXT978003
Pre-filter	EXT978004
Main filter	EXT978005
Activated carbon filter	EXT978006
ProtectoSpark grinding filter	EXT978013
ProtectoXtracTop grinding filter	EXT978016

1.4 Product Overview

The ProtectoXtracTop consists of the following main components and elements:



- | | |
|----|--|
| 1. | Rear panel |
| 2. | Side panel |
| 3. | Perforated plate (Surface approx 1100 x 700mm) |
| 4. | Application point for the earth of the welding apparatus |
| 5. | Handle to fold up the work surface |
| 6. | ProtectoXtrac unit |

2. Safety Instructions

2.1 General

The manufacturer does not accept any liability for damage to the product or personal injury caused by ignoring the safety instructions in this manual, or by negligence during installation, use, maintenance, and repair of the product mentioned on the cover of this document and any corresponding accessories.

Specific working conditions or used accessories may require additional safety instructions. Immediately contact your supplier if you detect a potential danger when using the product.

The ProtectoTop attachment is designed according to recognised safety regulations. Nevertheless, its use may create health hazards. Therefore, read and follow the safety instructions before using the product.

The user of the product is always fully responsible for observing the local safety instructions and regulations. Observe all applicable safety instructions and regulations.

- Everyone working on or with the product must be familiar with the contents of this manual and must strictly observe the instructions there in.
- The management should instruct the personnel in accordance with the manual and observe all instructions and directions given.
- Never change the order of the steps to perform. Always keep the manual with the product
- The pictograms, warning and instructions attached to the product are part of the safety features. They must not be covered or removed and must be present and legible during the entire life of the product
- Immediately replace or repair damaged or illegible pictograms, warnings and instructions

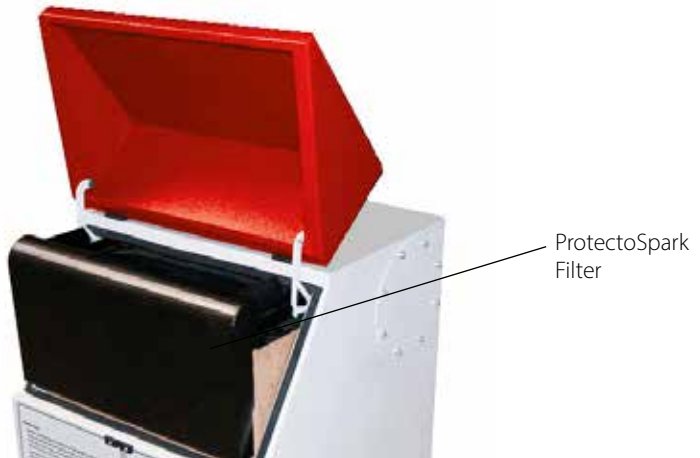
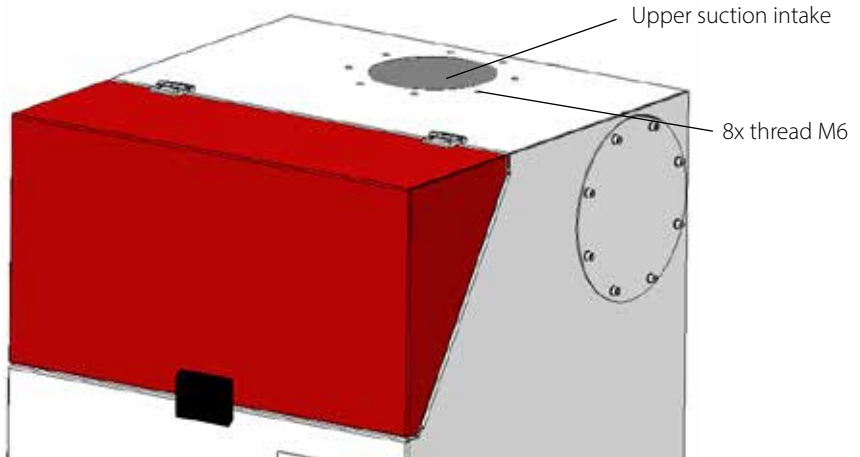
2.2 Instructions

When handling electrical appliances, the following general safety measures must be taken for the protection against electric shocks, risk of injury and fire:

- Read and observe these instructions before using the device
- Keep this operating and maintenance manual in a safe place
- Do not use the device to extract easily inflammable or explosive gases
- Do not use the device in explosive zones,
- Do not use the device to extract burning or glowing materials, e.g. cigarettes, matches, metallic dusts, as well as splinters, paper, cleaning cloths etc.
- Do not use the device to extract burning or inflammable materials, e.g. oil or oil mist, greases, release agents (e.g. silicone spray), cleaning agents, etc.
- Do not use the device to extract aggressive media
- Do not use the device to extract liquids of all kinds.
- Do not use the device to extract organic materials without a written authorization of the manufacturer.
- Protect the connecting plug from heat, humidity, oil and sharp edges.
- Observe the approved supply voltage. (Observe the indications on the nameplate)
- Only use Weldability spare parts.
- Do not use the device without filter elements.
- Ensure the appropriate Filters are suitable for the intended application and are installed before use.
- Before opening the device, separate it from the mains supply.
- The outlet holes must not be covered or blocked.
- Always take care that the device is in a safe position and that the brakes at the swivel castors are pulled.
- When cleaning and maintaining the device, replacing parts or when changing to another function. Disconnect the filter unit from the mains supply.
- The filter elements must not be reused.
- Dispose of the filter cartridges according to the legal regulations.
- The device must not be used if the mains cable is not in perfect condition
- Do not use the filter unit if one or more parts of the unit are faulty, missing or damaged. In every of these cases, please contact the Weldability service department on +44 (0) 845 862 2620.
- When extracting carcinogenic fumes, e.g. materials containing nickel or chrome, the ventilation requirements have to be observed
- During transport, the device has to be secured against falling and slipping.
- When lifting and putting down the device, do not remain below or next to the load.

3. Installation

In order to correctly mount the ProtectoXtracTop attachment, the upper suction intake on the ProtectoXtract must be open, which means that the intake must not be closed with a cover plate. The 8 M6 threads will be needed later for the mounting of the ProtectoXtracTop attachment. Make sure that the ProtectoSpark filter is installed in the filter section of the ProtectoXtract.

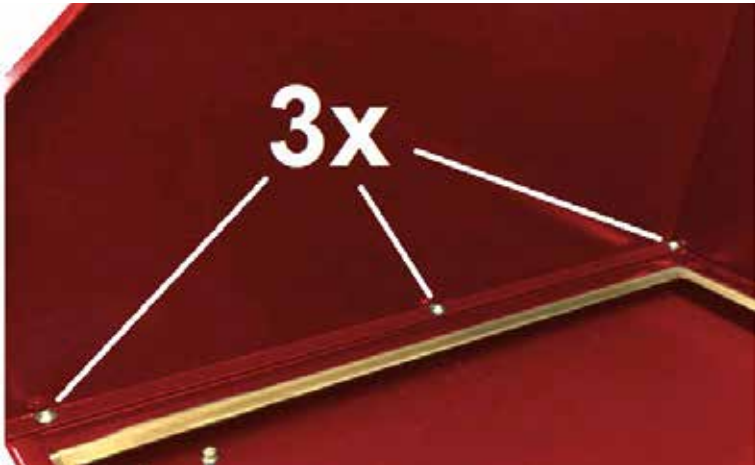


Extractability

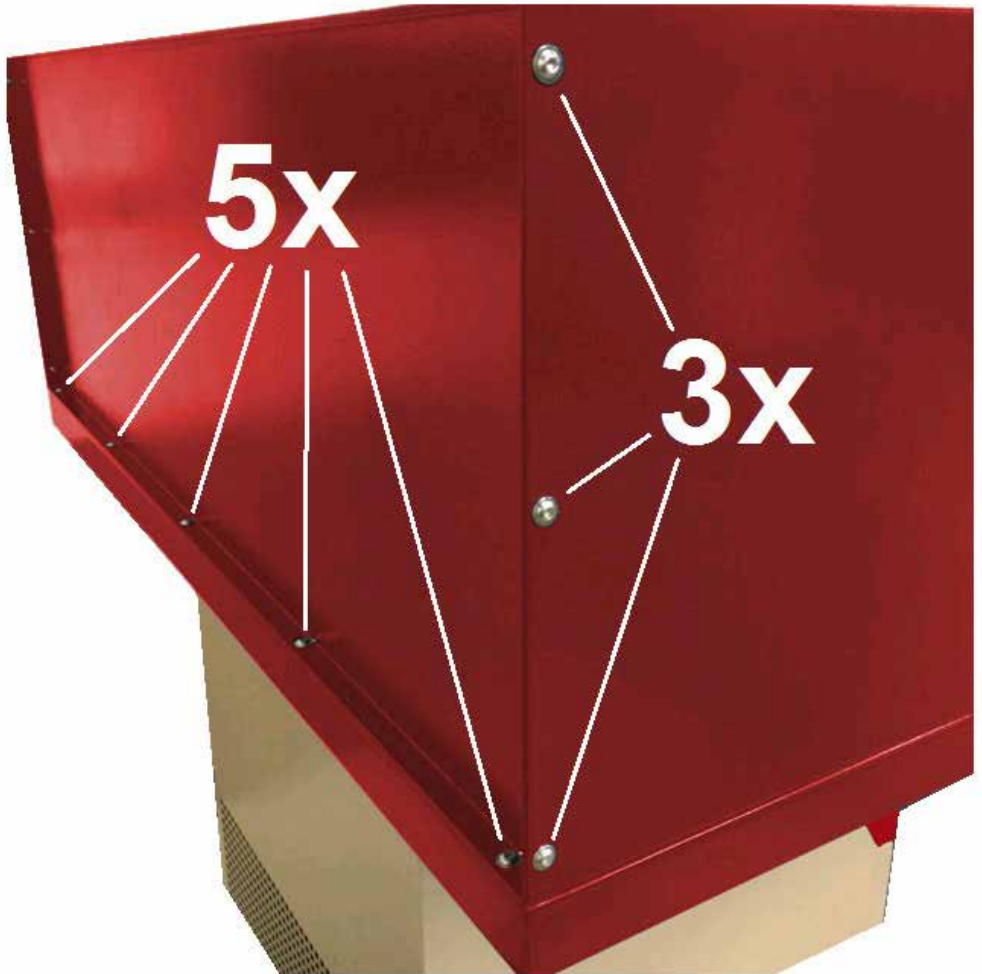
The substructure is delivered as a pre-assembled unit. Attach the substructure onto the ProtectoXtract by using the 8 screws M6x12 and the 8 threads of the ProtectoXtract. Please find the mounting position in the figure below.



Mount the side panels with 3 screws M6x12 each on the attachment.

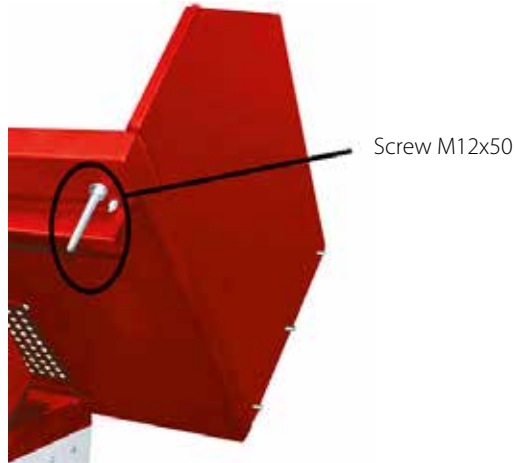


Mount the rear panel with 5 screws M6x12 on the attachment. In addition, the rear panel must be attached on both sides with 3 screws M6x12 each to the side panels.



Extractability

Mount the screw M12x50 to the bore intended for this purpose. Please find the mounting position of the screw in the figure below. The screw can be used as an application point for the earth of the welding apparatus in case of later welding applications.



Insert the perforated plate into the device.



4. Maintenance

The device must be cleaned occasionally due to the deposit of coarse dust particles. The cleaning interval depends on the respective operating conditions and can therefore not be determined beforehand. Work on the open system could entail the risk of an accidental restart of the system.

When cleaning and servicing equipment during the replacement of parts, the filter unit must be disconnected from the power supply and secured against restart.

4.1 Cleaning the upper and lower attachment sag

Remove the perforated plate. Clean the inside of the upper attachment sag, for example, with an industrial vacuum cleaner or a suitable cloth.



Fold the work surface upwards. Clean the inside of the lower attachment sag, for example, with an industrial vacuum cleaner or a suitable cloth.

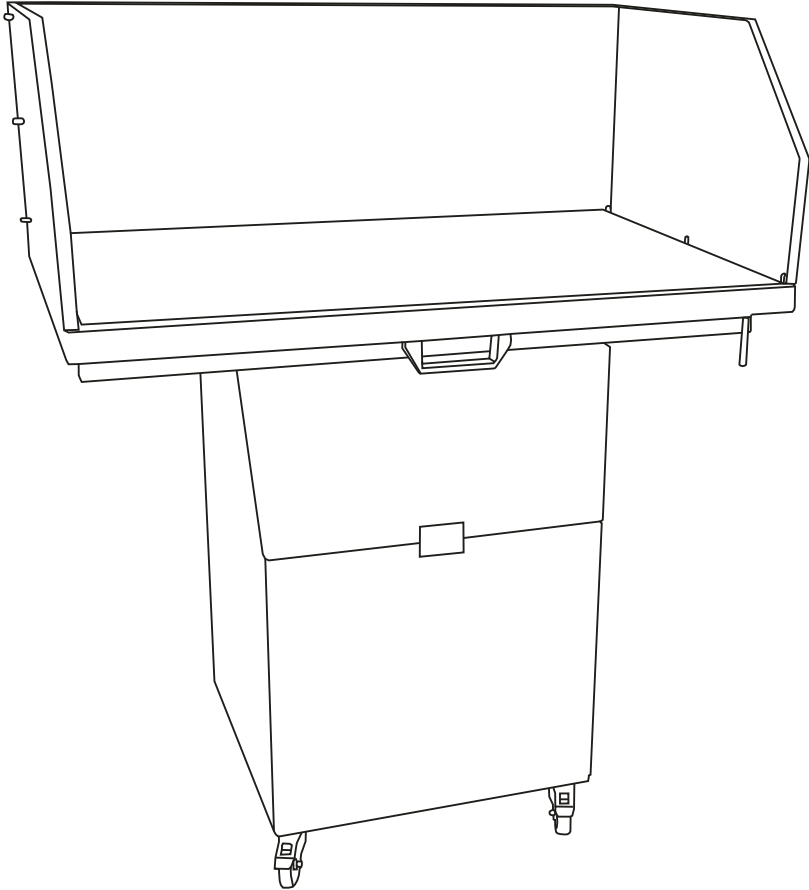


4.2 Replacing the ProtectoSpark filter

If a replacement of the ProtectoSpark filter is necessary, fold the work surface upwards to be able to open the service door of the "ProtectoXtract". Please refer to the ProtectoXtract operation manual for further replacement instructions.







Weldability **sif**

Peters House, The Orbital Centre, Ickniel Way, Letchworth Garden City, Hertfordshire, SG6 1ET
Tel. +44 (0) 845 862 2620 | Fax. +44 (0) 800 970 7757 | Email. sales@weldability-sif.com | www.weldability-sif.com